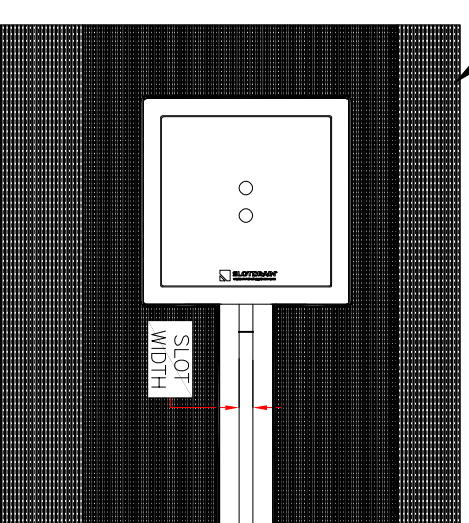
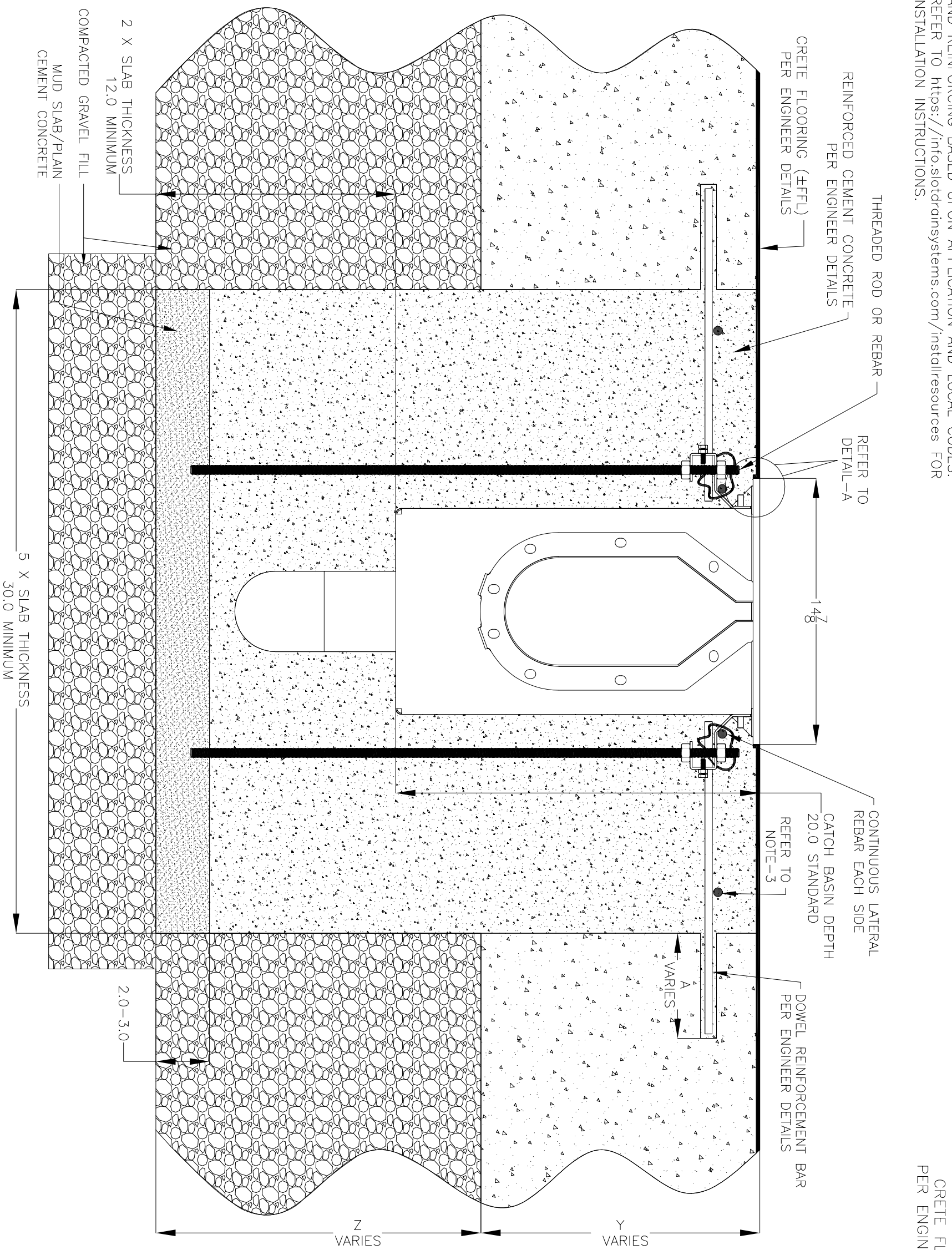
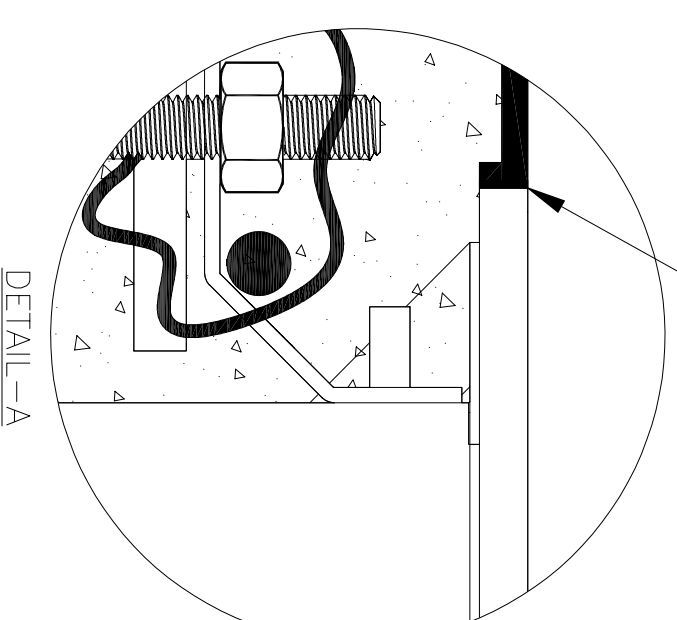


NOTES: UNLESS OTHERWISE SPECIFIED

1. ALL DIMENSIONS ARE IN INCHES.
2. DRAIN BODY MATERIAL: 14GA STAINLESS STEEL T304/T316
3. SPECIFYING ENGINEER IS RESPONSIBLE FOR CONCRETE ENCASEMENT AND REINFORCING BASED UPON APPLICATION AND LOCAL CODES.
4. REFER TO <https://info.slotdrainsystems.com/installresources> FOR INSTALLATION INSTRUCTIONS.



PLAN VIEW



DETAIL-A

REVISIONS

REV	DESCRIPTION	DATE	BY
0	INITIAL RELEASE - R0	11/20/2019	DK
1	UPDATED DRAWING LAYOUT & REBAR DETAILS	7/14/2021	DK

2 X SLAB THICKNESS
12.0 MINIMUM

COMPACTED GRAVEL FILL

MUD SLAB/PLAIN
CEMENT CONCRETE

5 X SLAB THICKNESS
30.0 MINIMUM

12X12X20 CATCH BASIN INSTALLATION DETAILS



DRAWING TITLE
CRETE FLOOR-RETROFIT INSTALLATION

DRAIN SERIES
12X12X20 CATCH BASIN

DWG NO. IN-12X12X20FGPIT-101-R1

SIZE B

SCALE NTS

SHEET 1 OF 1

ALL DRAWINGS ARE THE EXCLUSIVE PROPERTY OF SLOT DRAIN SYSTEMS. ANY REPRODUCTION IN PART OR IN WHOLE IS PROHIBITED WITHOUT PROPER CONSENT.